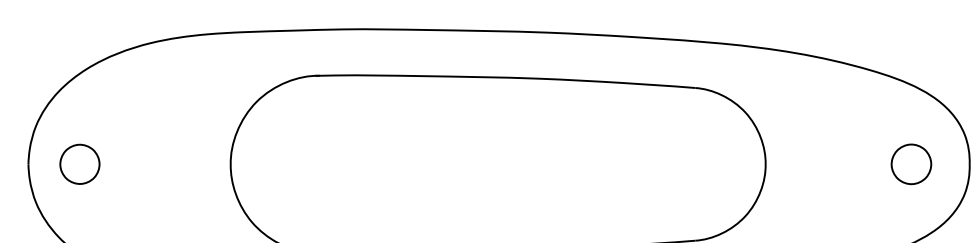
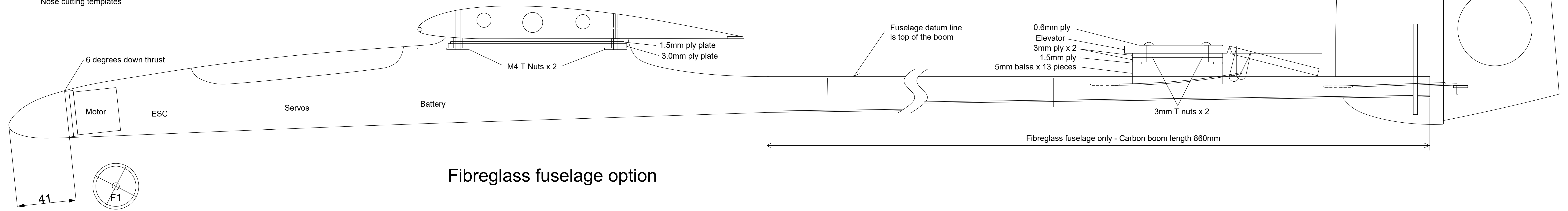


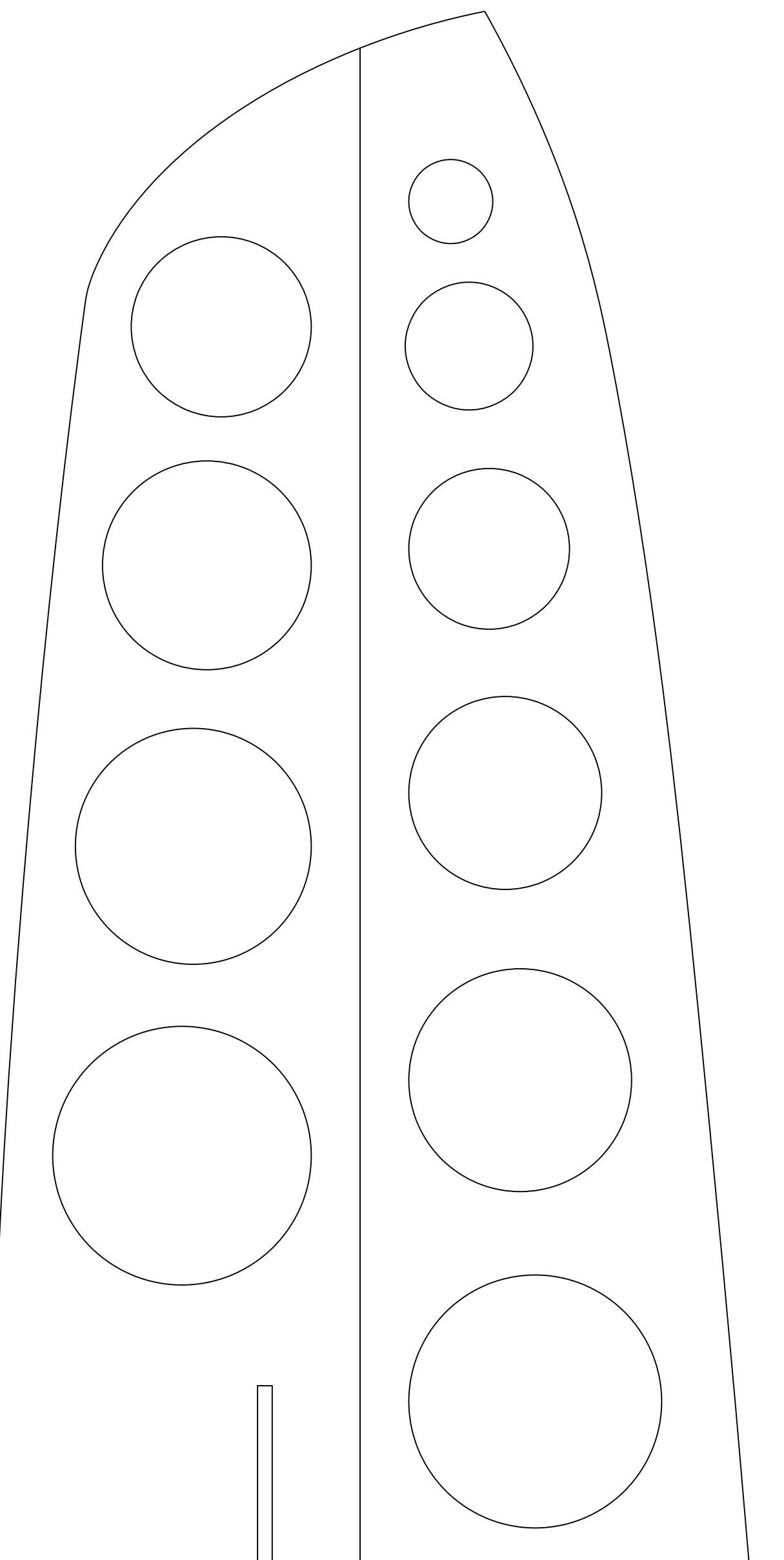
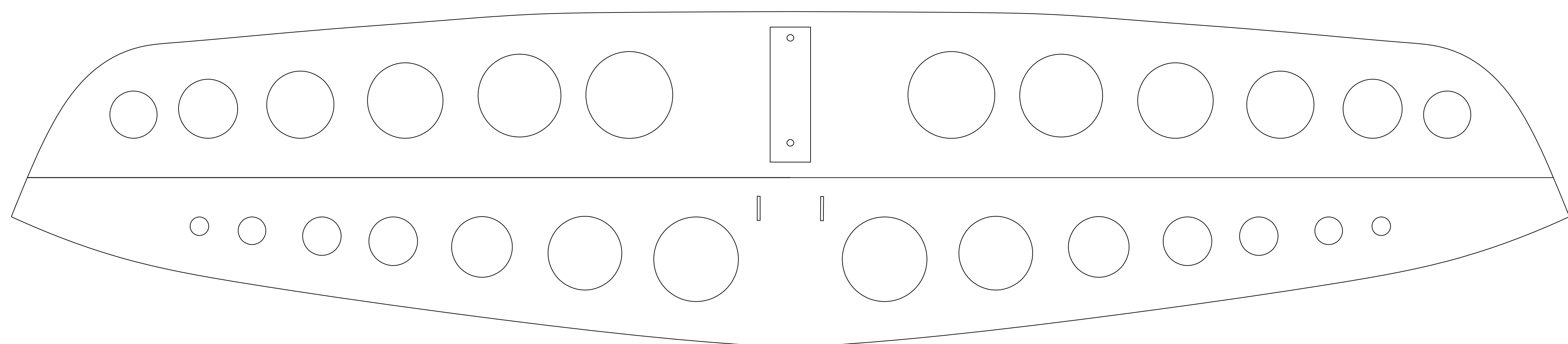
Nose cutting templates



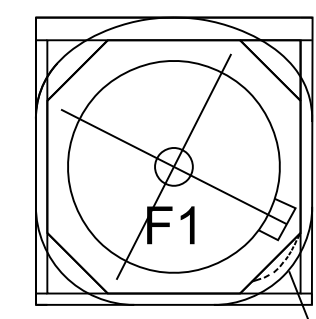
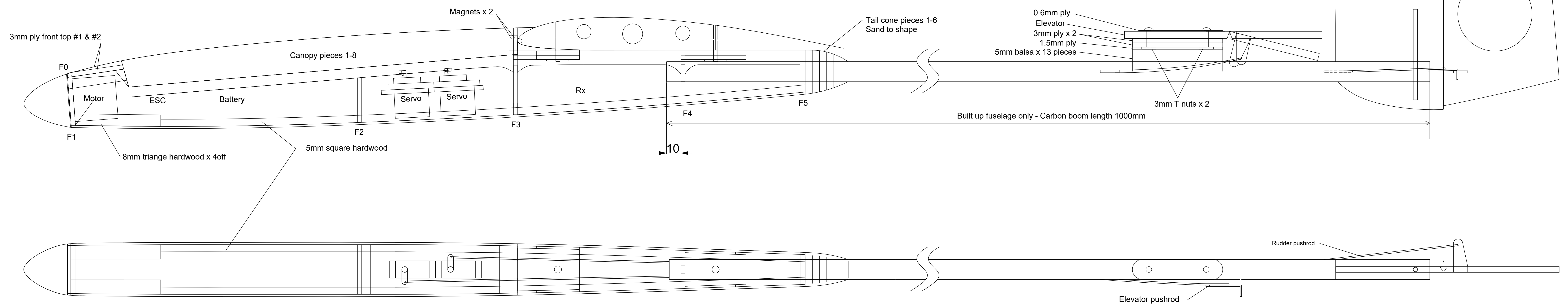
Wing mounting plate



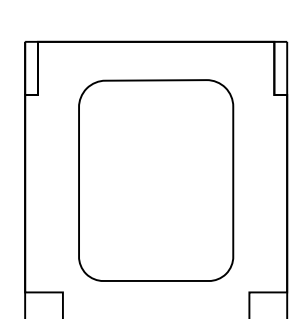
Fibreglass fuselage option



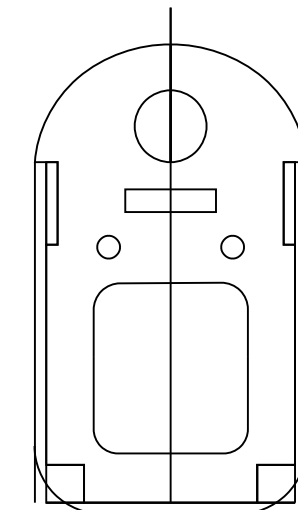
Built up fuselage option



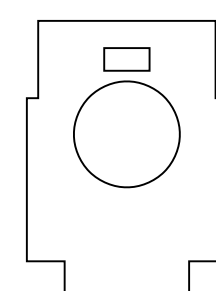
Round fuselage to shape as shown



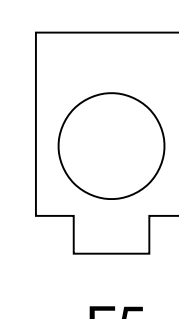
F2



F3



F4



F5

AVANTI - FUSELAGE

3M electric launch glider. Designed by Alan Mayhew and Marcus Stent. Airfoils: MS51 - MS54 bended across the wing for improved handling performance. Wing Area: 53.7dm².

Visit performancemodels.com.au for instructions and additional information.